

Self-aligning heavy duty pillow block sealed shaft bearing is maintenance free.

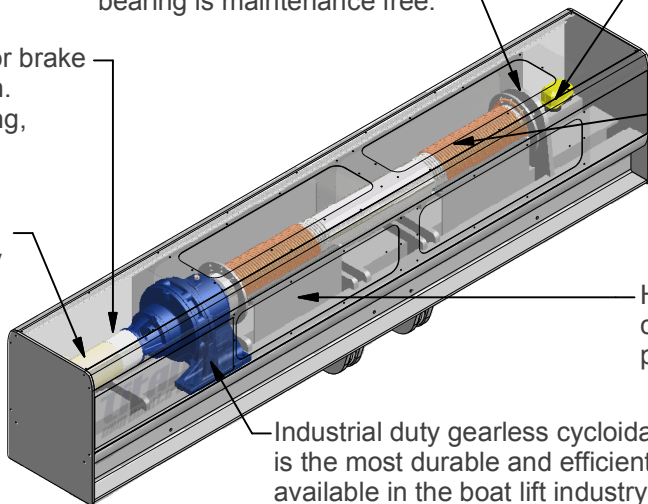
Rotary limit switch, with encoder, works with VFD control system to provide self-leveling and multiple stop points.

Fail-safe washdown duty motor brake reliably holds the lift in position. This brake prevents backdriving, even when the power is out.

8" diameter solid aluminum is turned on a CNC lathe to create a one piece drive shaft and deep grooved cable friendly winder.

Industrial duty three phase stainless steel washdown duty motor. Works in conjunction with VFD controls to provide soft start and stops.

High wear aluminum spring loaded cable rollers keep cables tracking properly in the winder grooves.



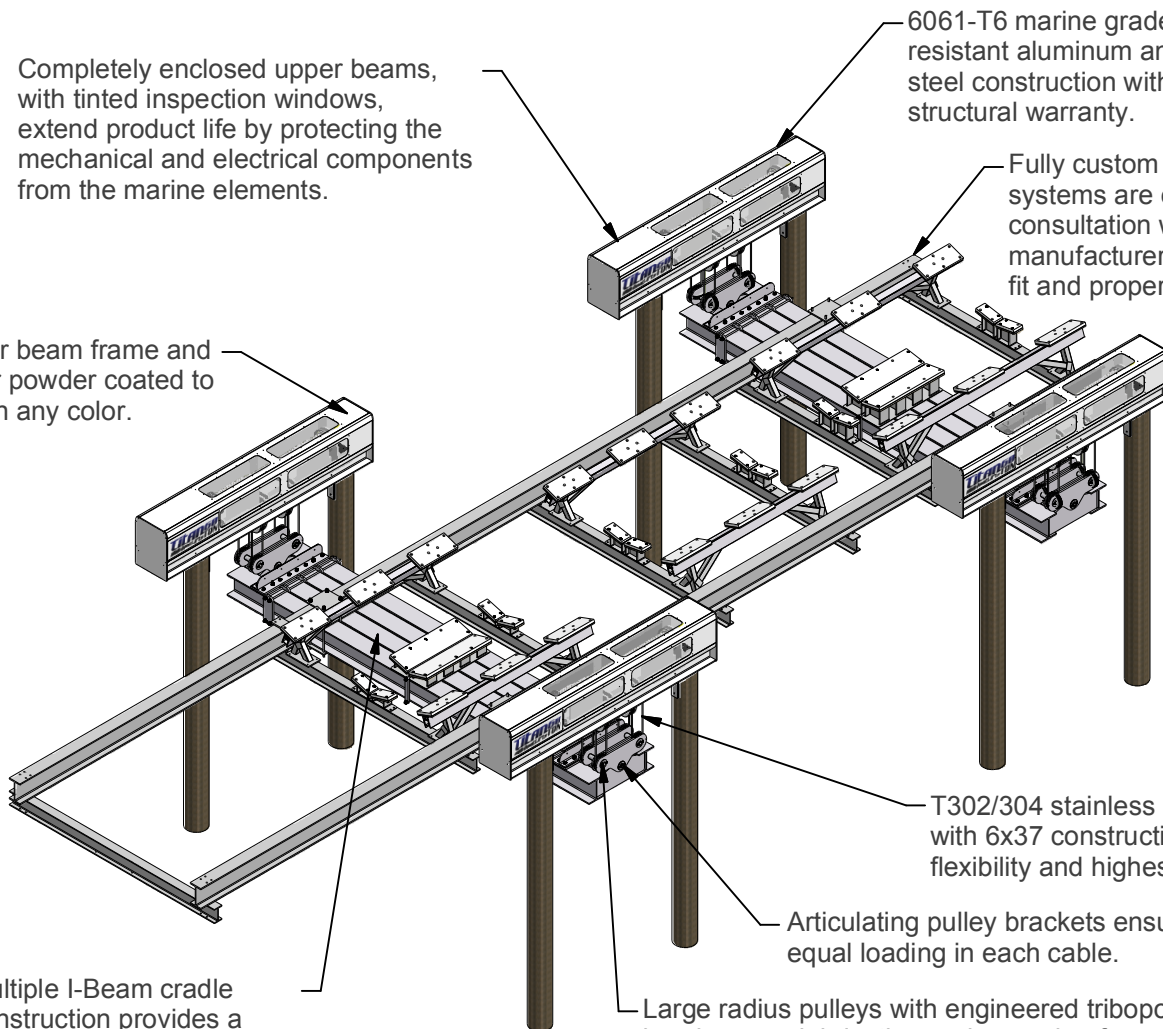
Industrial duty gearless cycloidal drive is the most durable and efficient drive available in the boat lift industry. High shock load capacity and torque ratings up to 521,000 in-lbs of output torque

Completely enclosed upper beams, with tinted inspection windows, extend product life by protecting the mechanical and electrical components from the marine elements.

6061-T6 marine grade corrosion resistant aluminum and stainless steel construction with 15 year structural warranty.

Fully custom hull support. Cradle systems are engineered in consultation with the yacht manufacturer to provide the perfect fit and proper hull support.

Upper beam frame and cover powder coated to match any color.



T302/304 stainless steel cables with 6x37 construction for maximum flexibility and highest service life.

Articulating pulley brackets ensure equal loading in each cable.

Multiple I-Beam cradle construction provides a strong and stable support for the custom bunk system.

Large radius pulleys with engineered tribopolymer bearings are lubrication and corrosion free. High load capacity provides the industry best durability. These no maintenance bearings reduce service costs.